

Effect-line

MARK II

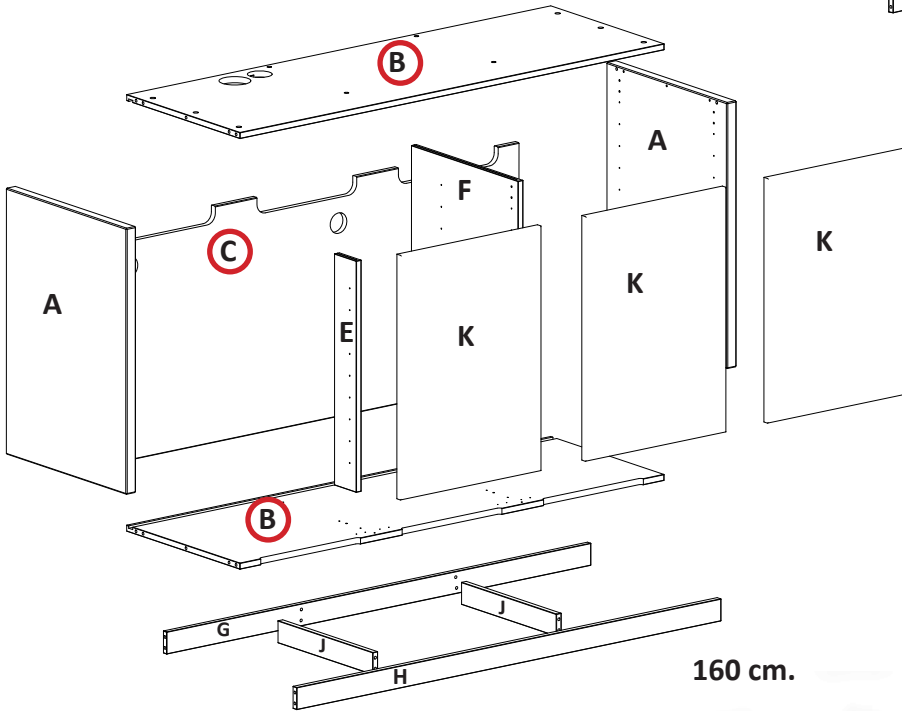
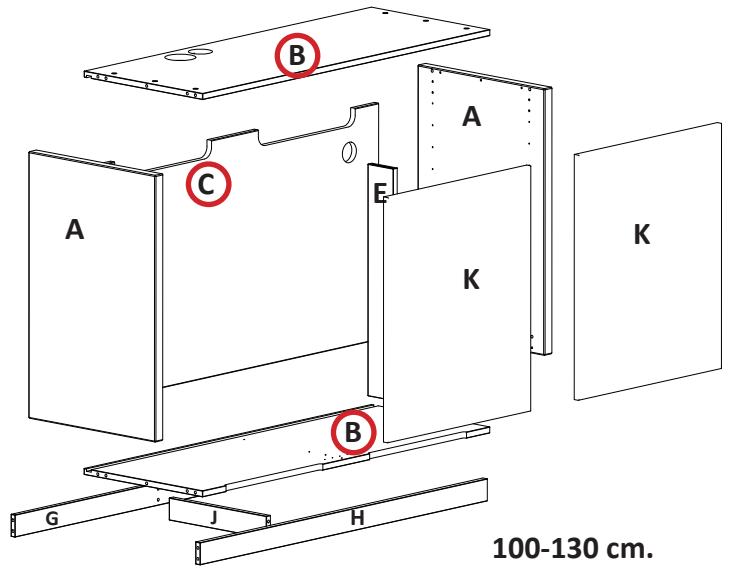
MARINE SET

ASSEMBLY INSTRUCTION



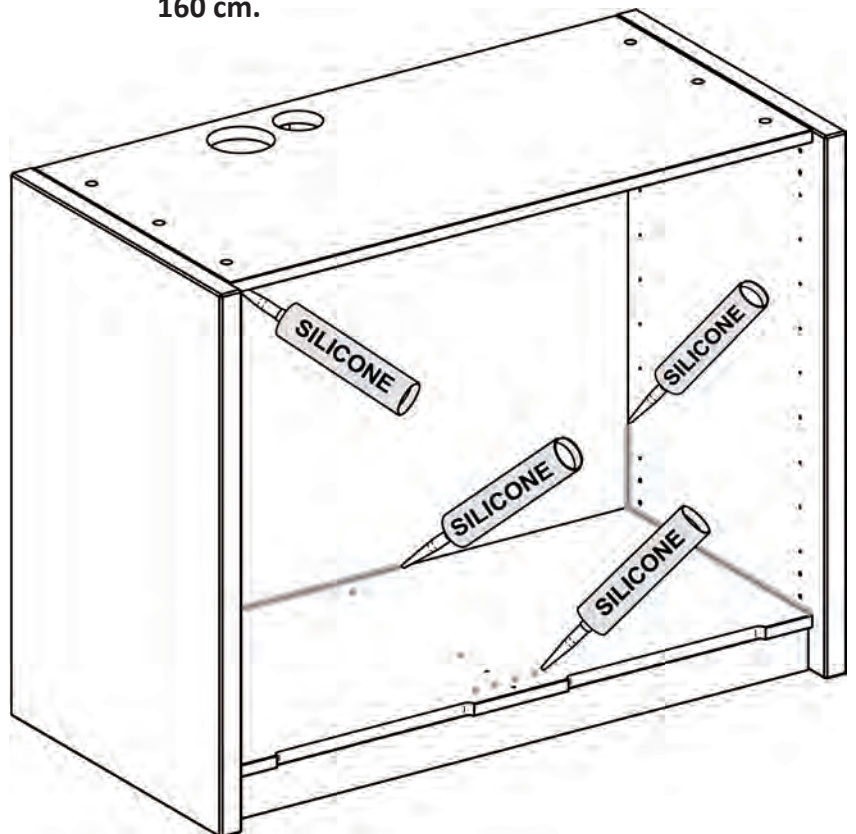
| | A | B | C | D | E |
|-------------|---|----------|----------|--------------|---|
| 100-130 cm. | 2 | 2 | 1 | 1 | 1 |
| 160 cm. | 2 | 2 | 1 | 1 | 1 |

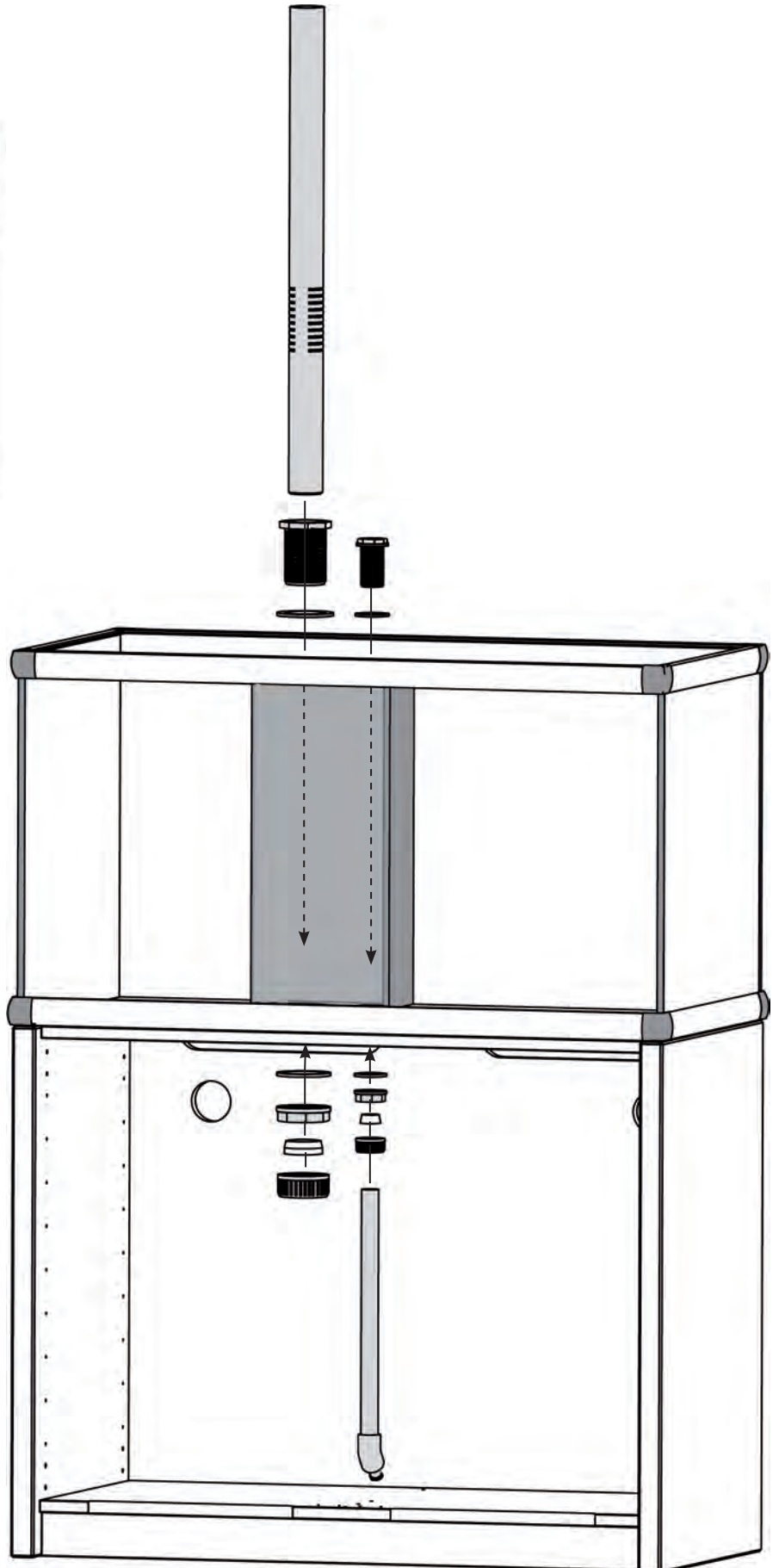
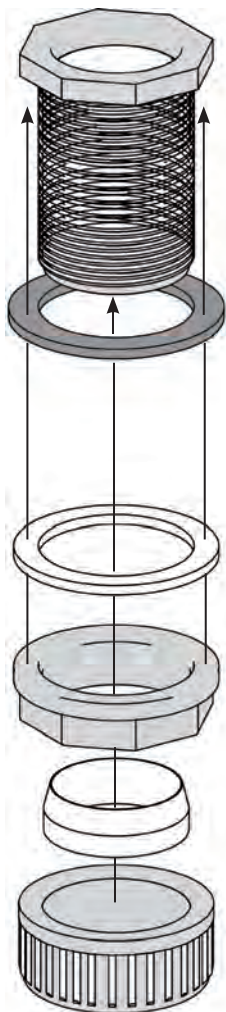
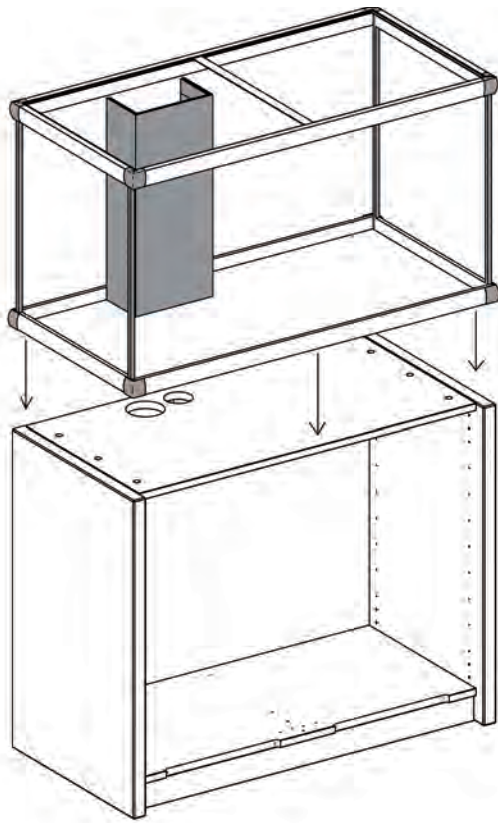
| | F | G | H | J | K |
|-------------|---|---|---|---|---|
| 100-130 cm. | 0 | 1 | 1 | 1 | 2 |
| 160 cm. | 1 | 1 | 1 | 2 | 3 |



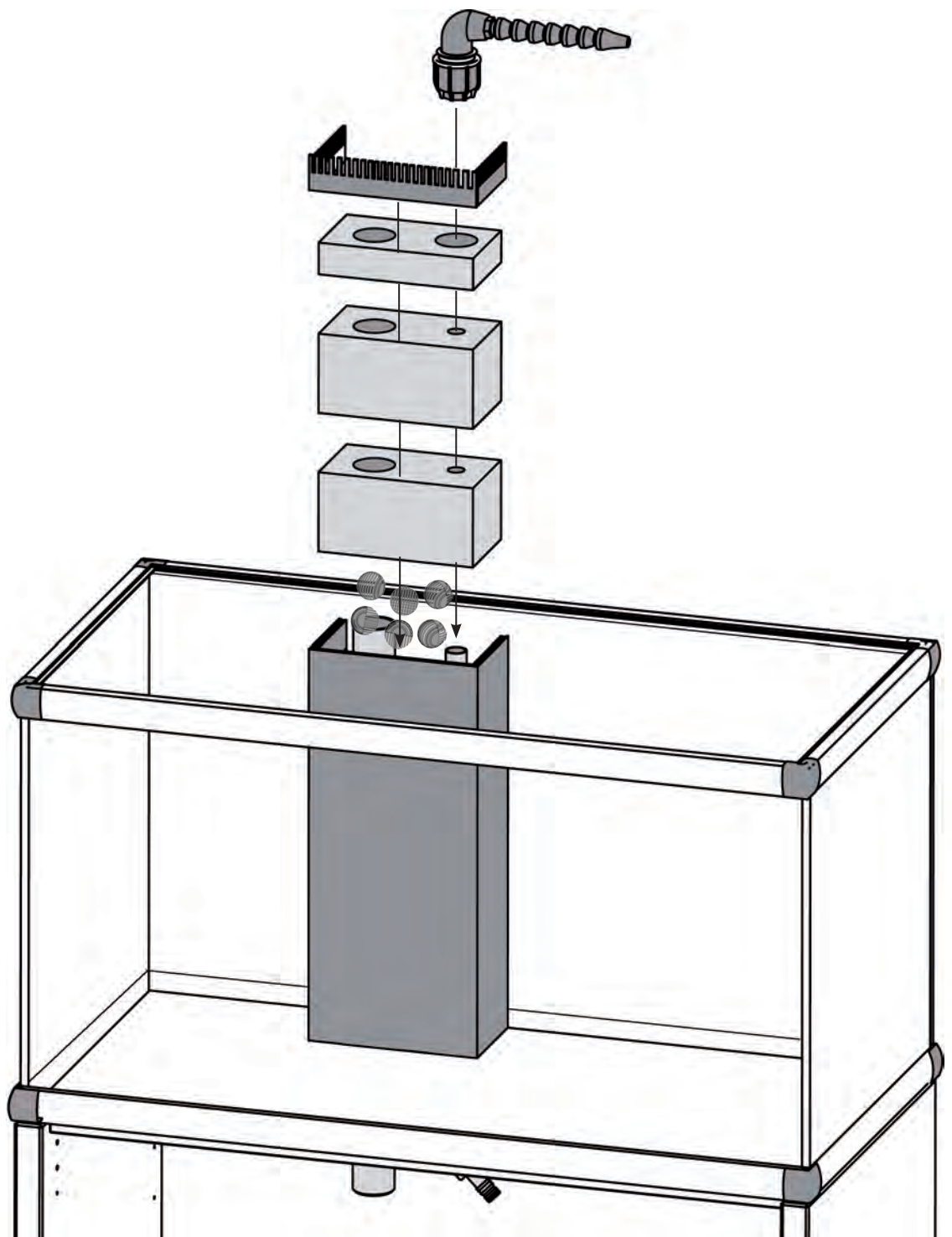
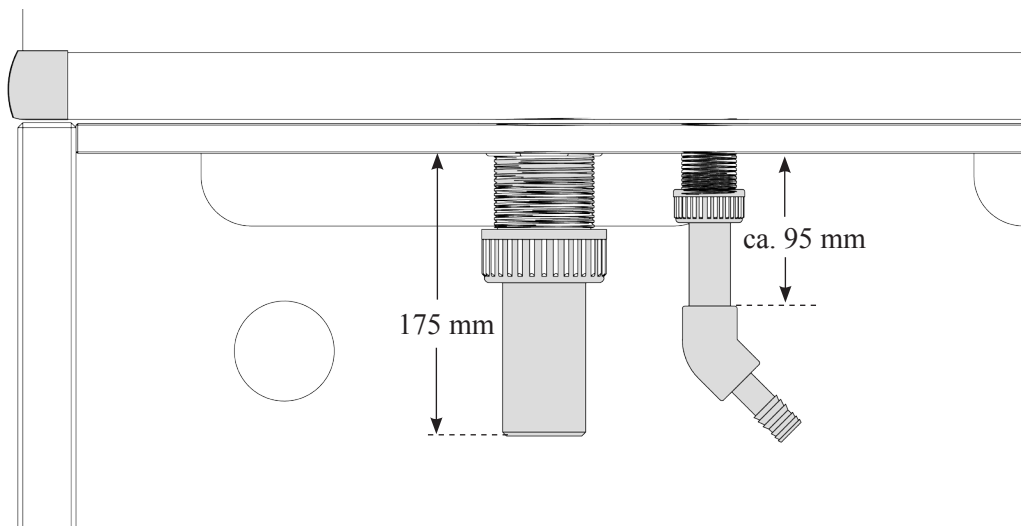
Please assemble the cabinet according to the instruction supplied with the cabinet.

○ = Special parts for the Marine cabinets.

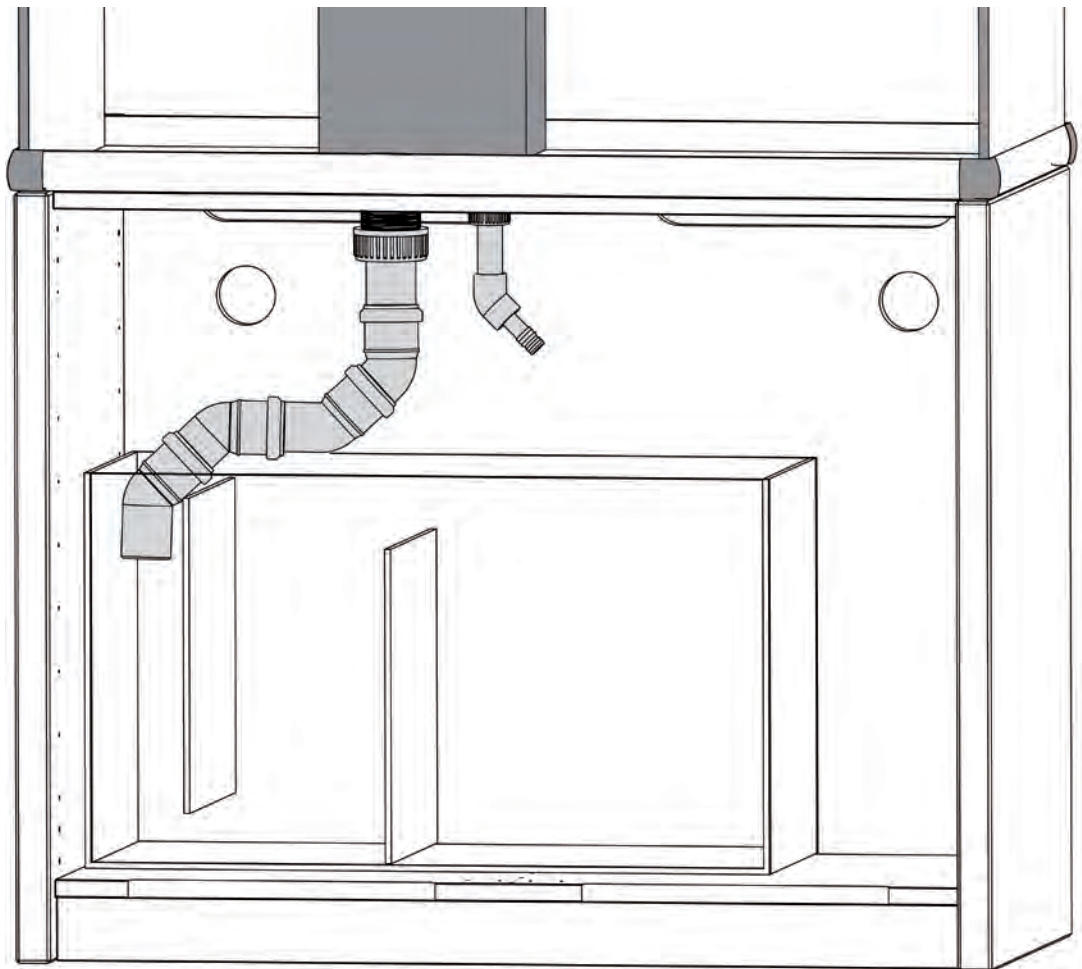
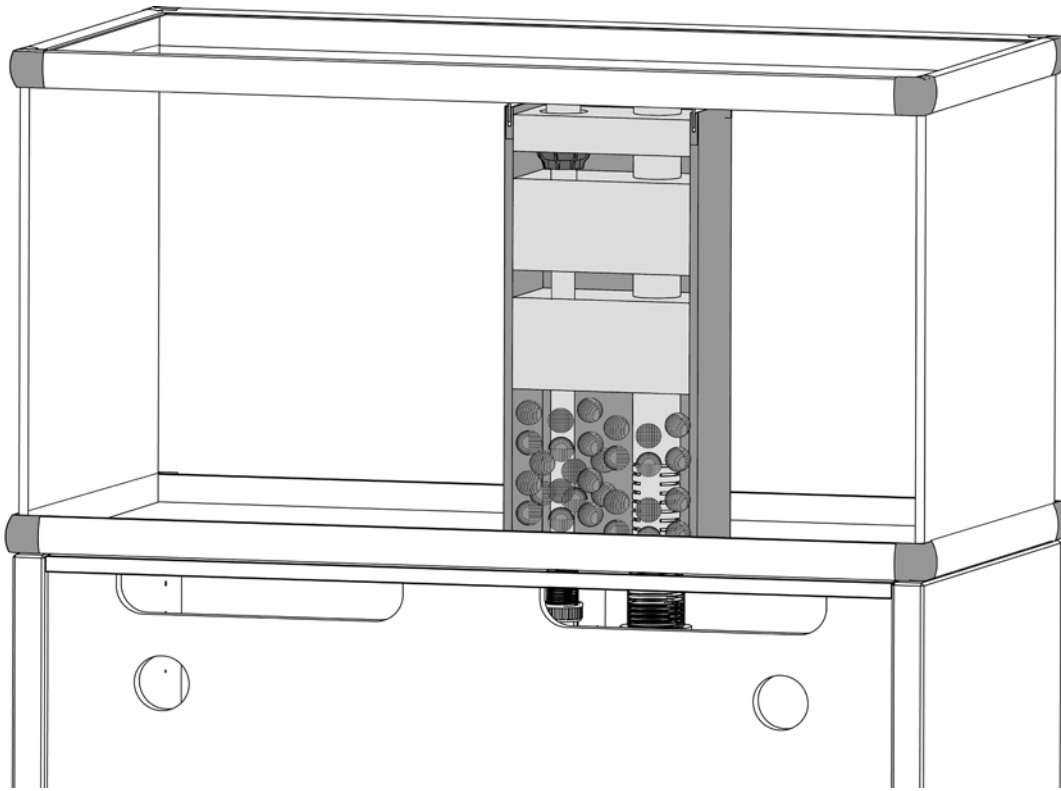




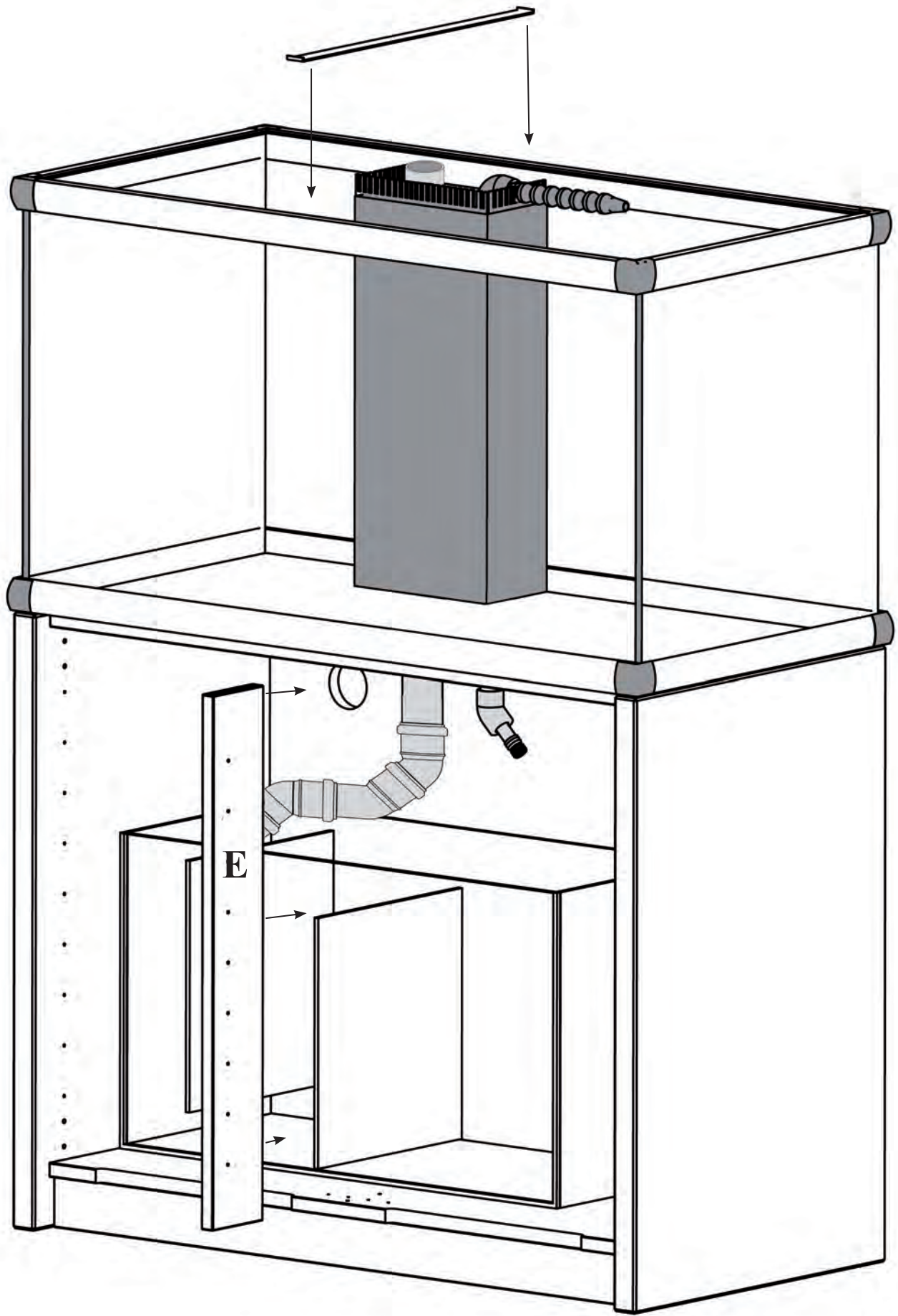
MARK II



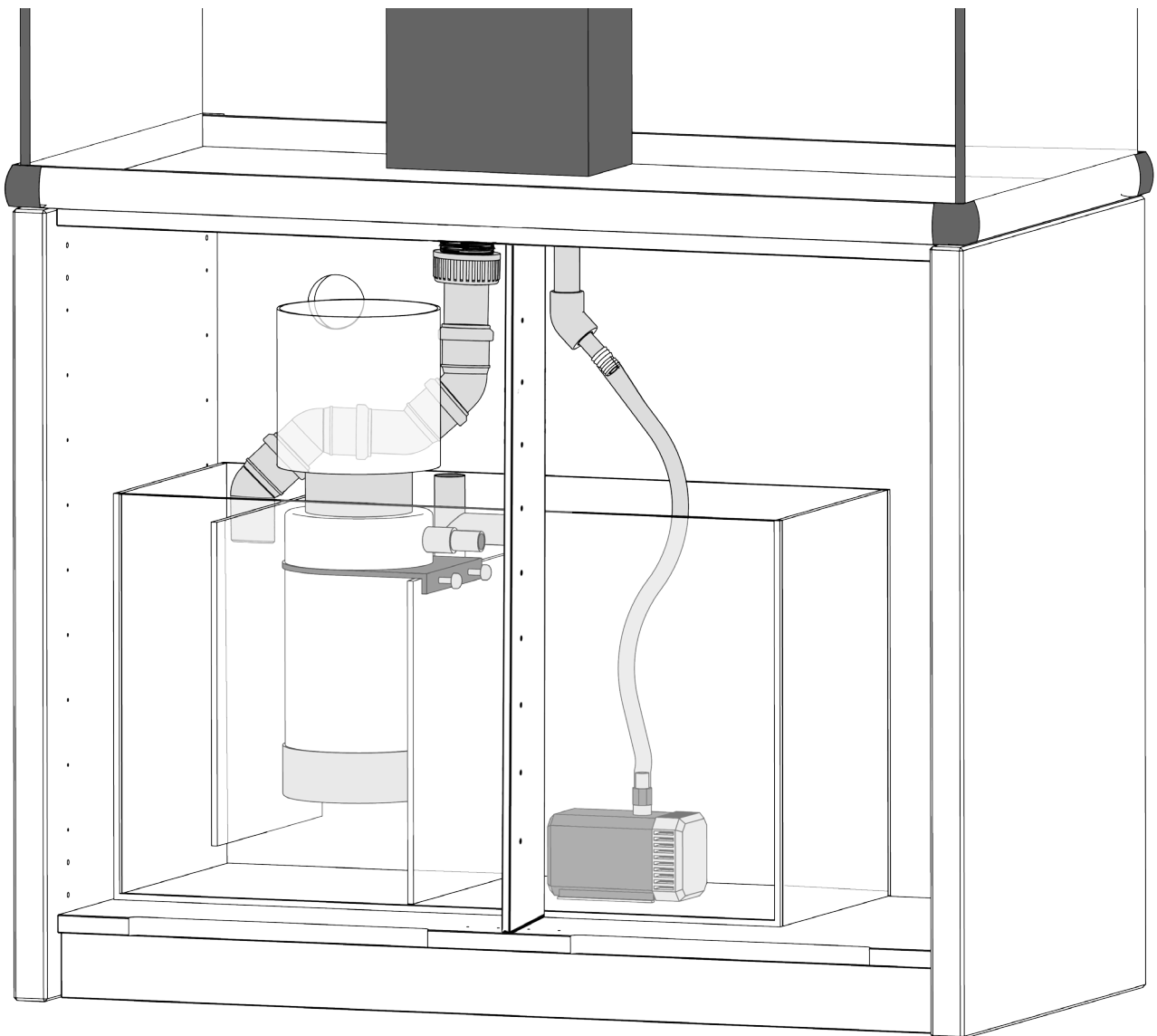
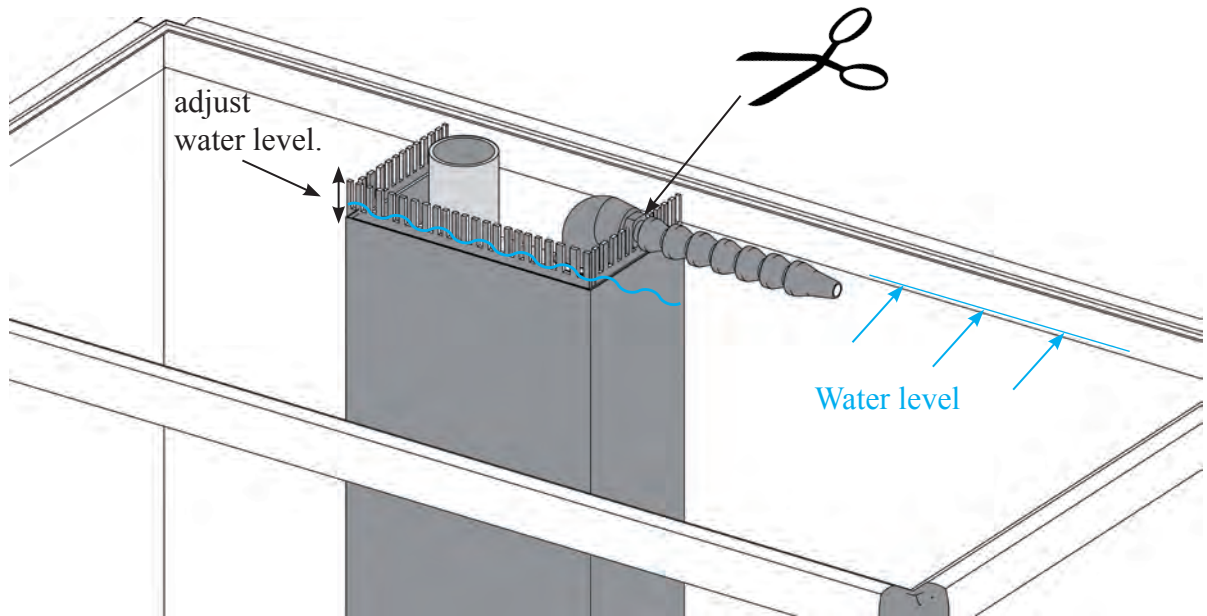
MARK II



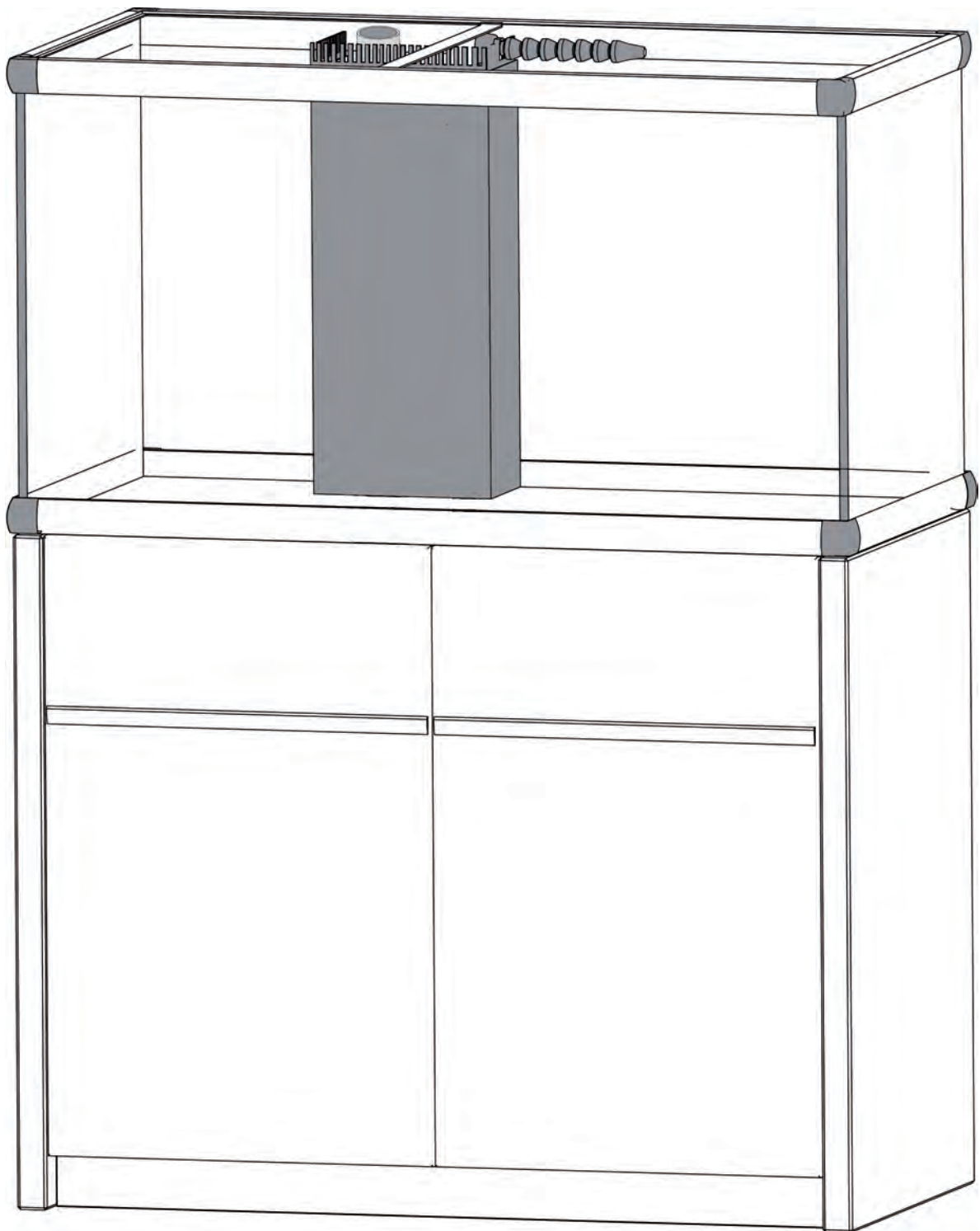
MARK II



MARK II



MARK II



akvastabil®
– Knowledge makes all the difference

Ole Rømersvej 12 • DK-6100 Haderslev
T: +45 7352 4242 • F: +45 7452 0980
akvastabil@eldorado.dk